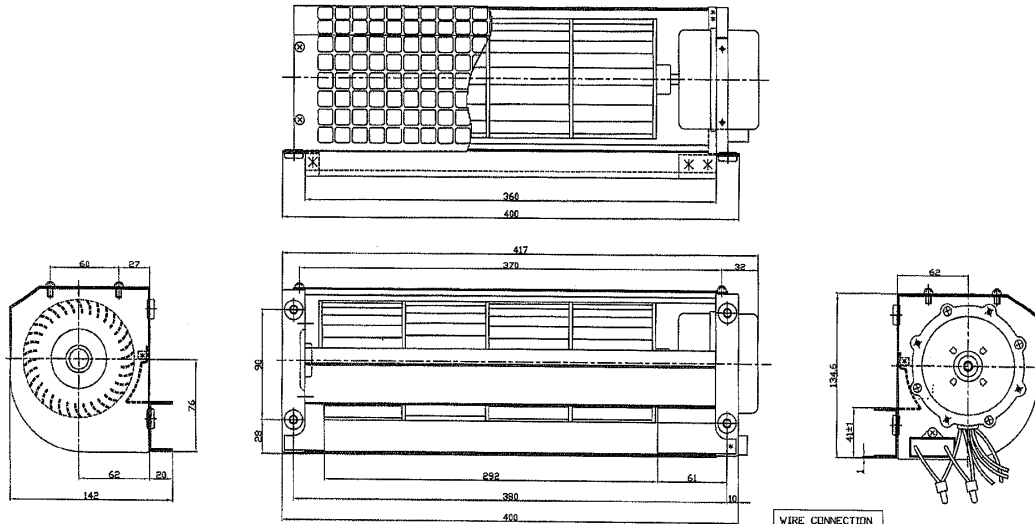
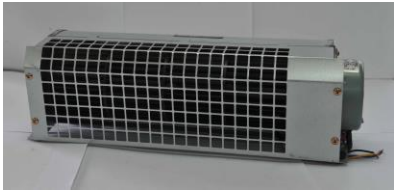


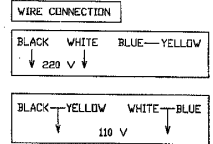
Reference No. : 026
 Dwg. No. : DAET117
 Part name : Sirocco fan
 Specification : See attached Dwg.



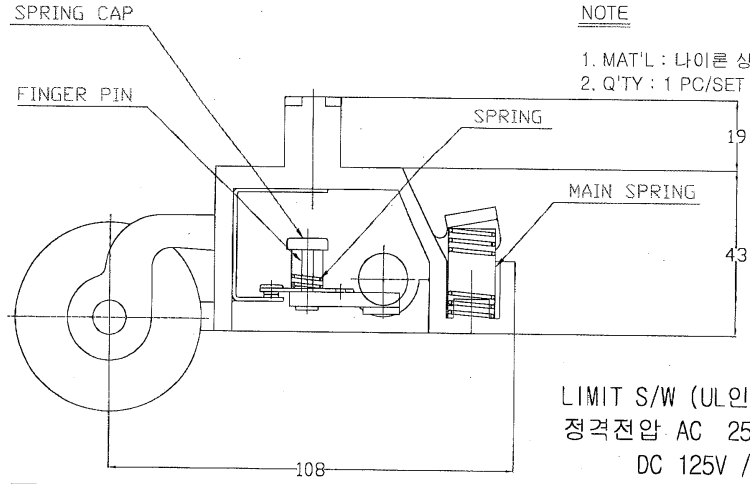
SPECIFICATION

TYPE	SPECIFICATION			
Voltage (V)	110	220		
Frequency (Hz)	50	60	50	60
Current (A)±10%	0.36	0.34	0.36	0.18
Power consumption (W)±10%	33.5	36	33.5	36
Flow rate (cf/min)	4.5	5.5	4.5	5.5
Noise (dB)	50 or less			
Capacitor (μF)	2.0			

1. FAN : ABS+GF(20%)
2. HOUSING : SPCC-1
3. BEARING : 626ZZ



Reference No. : 027
 Dwg. No. : DI-101
 Part name : Limit switch
 Specification : See attached Dwg



NOTE

1. MAT'L : 나이론 상글 그라스 30%
2. Q'TY : 1 PC/SET

LIMIT S/W (UL인증품)
 정격전압 AC 250V / 15A
 DC 125V / 1A